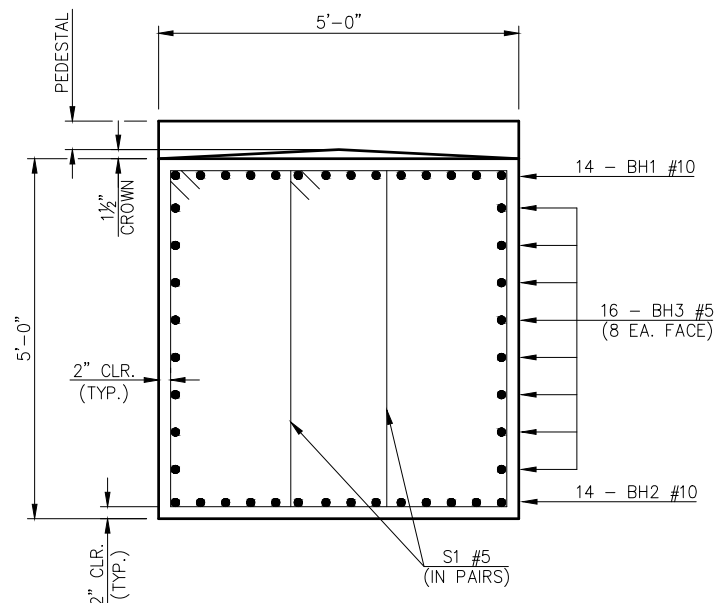
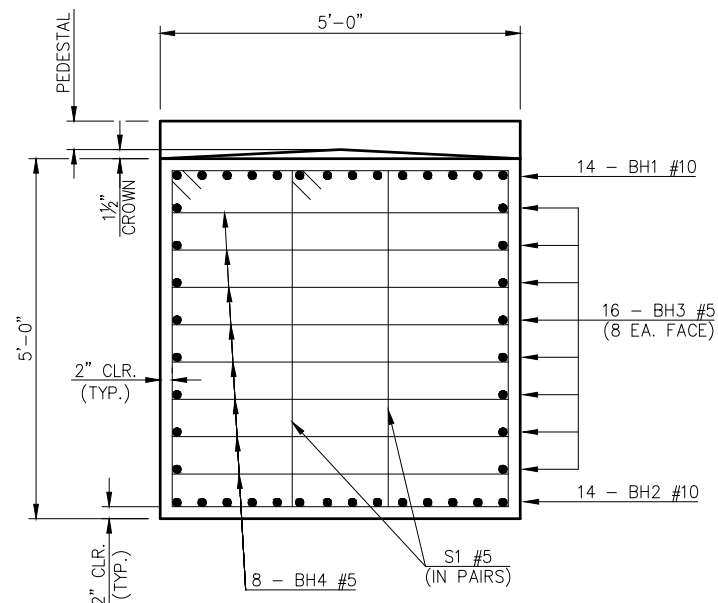


REVISIONS		
REV. NO.	DESCRIPTION	DATE



**SECTION A-A**



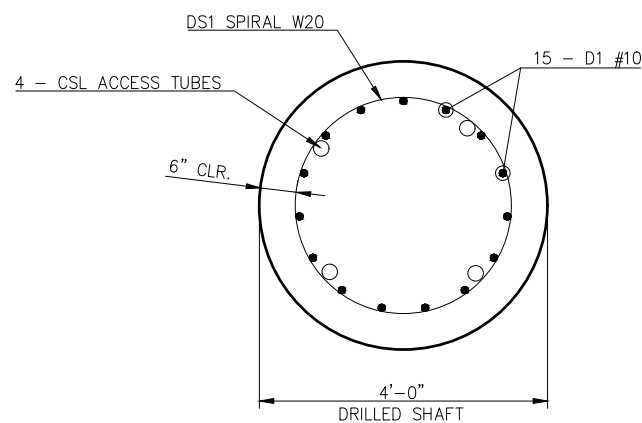
**END SECTION**  
(TYPICAL EACH END)

BAR LIST - PIER NO. 1				
MARK	SIZE	NO.	FORM	LENGTH
EPOXY COATED REINFORCING				
BH1	#10	14	BNT.	48'-10"
BH2	#10	14	STR.	46'-0"
BH3	#5	16	STR.	46'-0"
BH4	#5	16	BNT.	6'-8"
P1	#4	30	BNT.	8'-0"
P2	#4	30	BNT.	8'-0"
P3	#4	1	BNT.	19'-5"
S1	#5	124	BNT.	16'-1"
TWO DRILLED SHAFTS ①				
EPOXY COATED REINFORCING				
D1	#10	30	STR.	25'-5"
NON-EPOXY COATED REINFORCING				
DS1	W20	2	SPIRAL	416'-10"

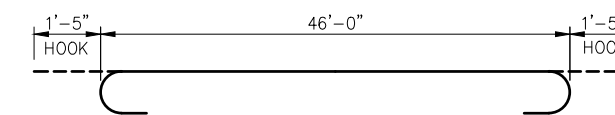
① INCLUDED IN PRICE BID PER LINEAR FOOT OF DRILLED SHAFT

BAR LIST - PIER NO. 2				
MARK	SIZE	NO.	FORM	LENGTH
EPOXY COATED REINFORCING				
BH1	#10	14	BNT.	48'-10"
BH2	#10	14	STR.	46'-0"
BH3	#5	16	STR.	46'-0"
BH4	#5	16	BNT.	6'-8"
P1	#4	30	BNT.	8'-0"
P2	#4	30	BNT.	8'-0"
P3	#4	1	BNT.	19'-5"
S1	#5	124	BNT.	16'-1"
TWO DRILLED SHAFTS ①				
EPOXY COATED REINFORCING				
D1	#10	30	STR.	24'-5"
NON-EPOXY COATED REINFORCING				
DS1	W20	2	SPIRAL	398'-0"

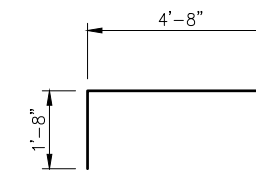
① INCLUDED IN PRICE BID PER LINEAR FOOT OF DRILLED SHAFT



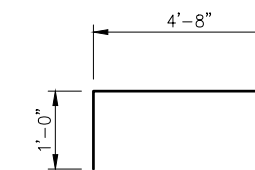
**SECTION B-B**



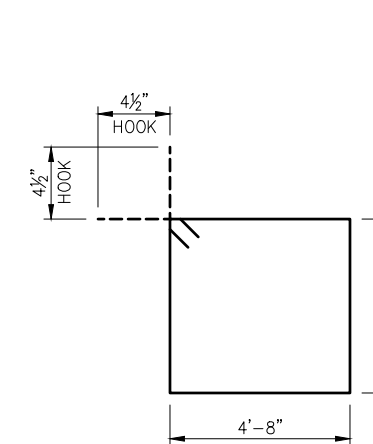
BH1 #10 X 48-10"



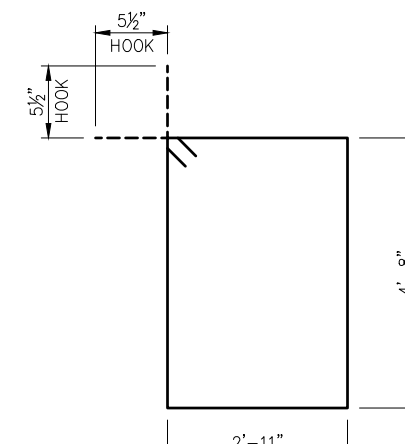
P1 #4 X 8'-0"  
P2 #4 X 8'-0"



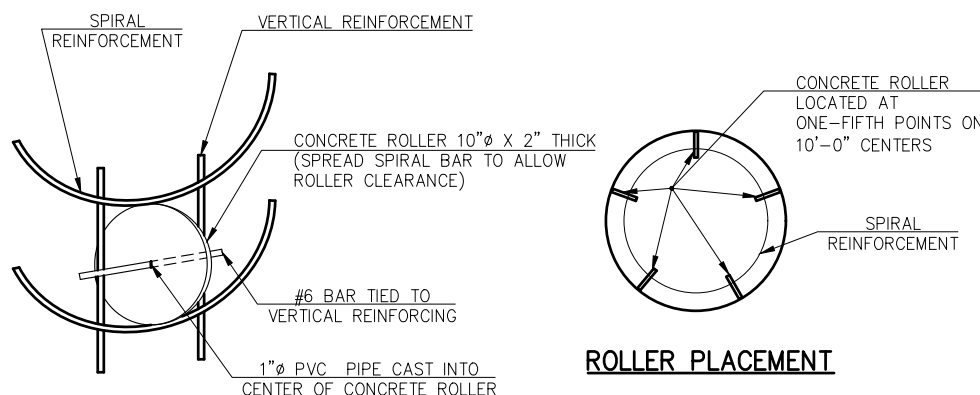
BH4 #5 X 6'-8"



P3 #4 X 19'-5"

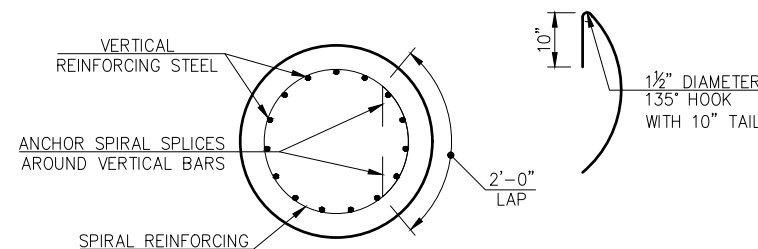


S1 #5 X 16'-1"



**ROLLER INSTALLATION**

**ROLLER PLACEMENT**



**DETAIL OF SPIRAL REINFORCING SPLICE**

NOTE: SPIRAL BARS SHALL CONFORM TO AASHTO M-32. SPIRAL BAR LENGTH DOES NOT INCLUDE LAP. IF LAP IS REQUIRED, THE LENGTH OF THE LAP SHALL BE AS SHOWN.

**DETAIL OF CONCRETE ROLLER**

NOTE: CONCRETE USED IN THE CONCRETE ROLLERS SHALL HAVE A MINIMUM 28 DAY COMPRESSIVE STRENGTH OF 4,000 P.S.I. SLAB BOLSTERS, HIGH CHAIRS AND PLASTIC ROLLERS SHALL NOT BE SUBSTITUTED FOR THE CONCRETE ROLLERS.

DESIGN	MBS	2/15	SH-28 OVER SALT CREEK BRIDGE "A"	NOWATA COUNTY
DETAIL	SLP	2/15		
CHECK	MBS	3/15		
GUY ENGINEERING SERVICES, INC.			STATE JOB PIECE NO. 28857(04)	SHEET NO. B017

**DETAILS OF PIERS**  
(SHEET NO. 2 OF 2)

Monday, July 31, 2017 4:16:29 PM V:\12-716E SH-28 Salt Creek JP 28857\STRUCTURAL\DWG\Salt Creek - PIERS.dwg